



ACCURATE
SCREEN & GRATING

FIBREGLASS GRATING - MOLDED

38 x 38 x 38 SQUARE (GRIT-TOP/NON GRIT-TOP)

VANCOUVER

19082-28th Avenue
Surrey, BC
Canada V3S 6M3
TF: 877.687.3488

CALGARY

7571-57th Street SE
Calgary, AB
Canada T2C 5M2
TF: 877.857.0323

EDMONTON

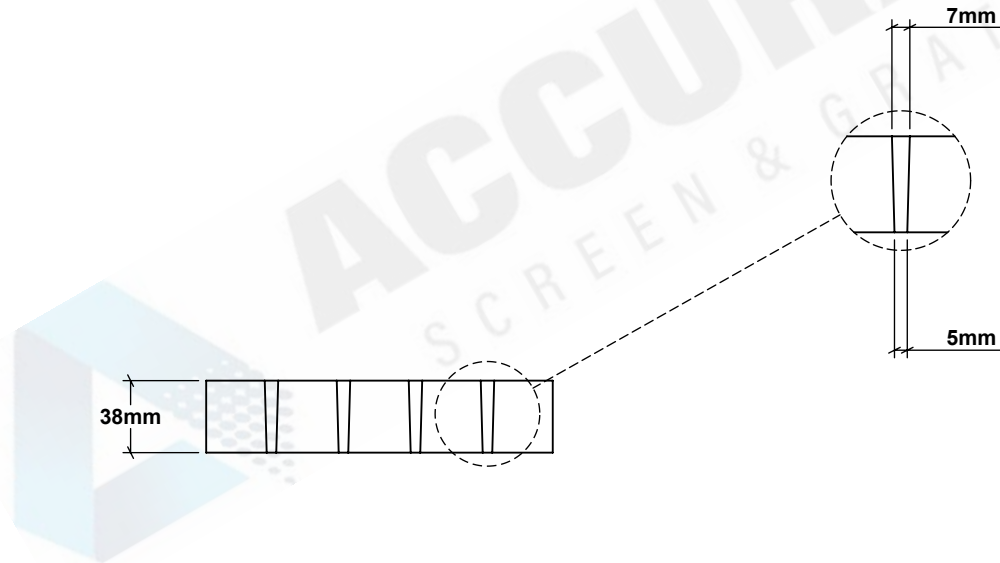
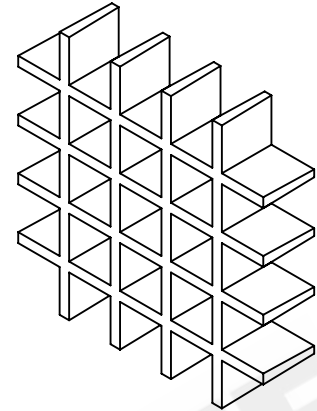
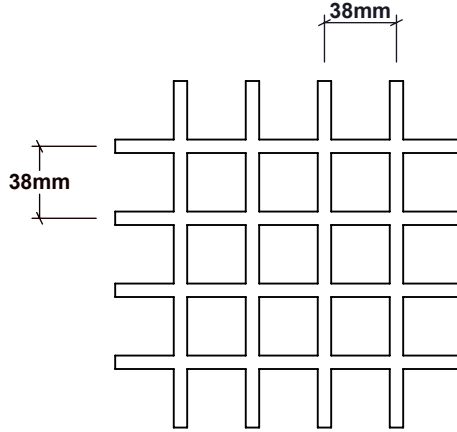
#54-1015 Eby Road SW
Edmonton, AB
Canada T6X 2N9
TF: 877.857.0323

TORONTO

#5-5655 Kennedy Rd
Mississauga, ON
Canada L4Z 3E1
TF: 877.564.3381

MONTREAL

440 Rue Stinson
Saint Laurent, QC
Canada H4N 2E9
TF: 855.325.3826



SPAN (MM)	GRATING TYPE		METRIC LOAD TABLE								Max Recommended Load (KPA)	Breaking Point (KPA)
	HEIGHT (MM)	OPENING (MM)	2.40	4.79	7.19	9.58	14.37	23.95	47.90	95.80		
305	38	38 X 38	<0.3 / <0.3	<0.3 / <0.3	<0.3 / <0.3	<0.3 / <0.3	0.51 / 0.51	0.76 / 0.76	1.27 / 1.27	2.79 / 2.79	76.6 / 76.6	383.2 / 383.2
457	38	38 X 38	<0.3 / <0.3	0.51 / 0.51	0.51 / 0.51	0.76 / 0.76	1.27 / 1.27	2.03 / 2.03	3.81 / 3.81	7.62 / 7.62	50.8 / 50.8	255.3 / 255.3
610	38	38 X 38	0.51 / 0.51	0.76 / 0.76	1.27 / 1.27	1.78 / 1.78	2.54 / 2.54	4.32 / 4.32	8.38 / 8.38		38.3 / 38.3	191.6 / 191.6
762	38	38 X 38	0.76 / 0.76	1.52 / 1.52	2.29 / 2.29	3.05 / 3.05	4.57 / 4.57	7.37 / 7.37			30.7 / 30.7	153.3 / 153.3
914	38	38 X 38	1.27 / 1.27	2.79 / 2.79	4.06 / 4.06	5.33 / 5.33					25.4 / 25.4	127.4 / 127.4
1067	38	38 X 38	2.03 / 2.03	4.06 / 4.06							21.6 / 21.6	109.2 / 109.2
1219	38	38 X 38	2.79 / 2.79	5.84 / 5.84							19.2 / 19.2	95.8 / 95.8
1372	38	38 X 38	3.81 / 3.81								16.8 / 16.8	84.8 / 84.8

TABLE OF SAFE LOADS - METRIC

U - Safe Uniform Load, in KPA
C - Safe Concentrated Load, in KPA

GENERAL

Loads and deflections are theoretical and based on static loading.