



**ACCURATE**  
SCREEN & GRATING

# BAR GRATING - TREADS

10-15/16" X 30" - 9 BAR

## VANCOUVER

19082-28th Avenue  
Surrey, BC  
Canada V3S 6M3  
TF: 877.687.3488

## CALGARY

7571-57th Street SE  
Calgary, AB  
Canada T2C 5M2  
TF: 877.857.0323

## EDMONTON

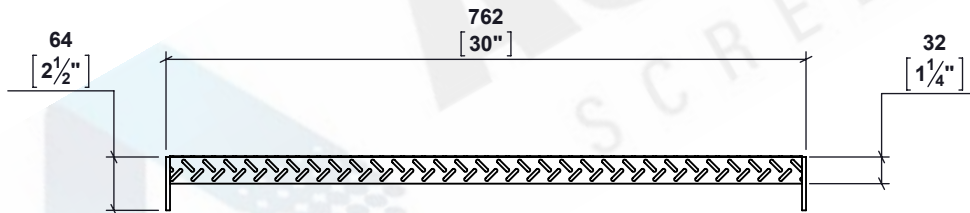
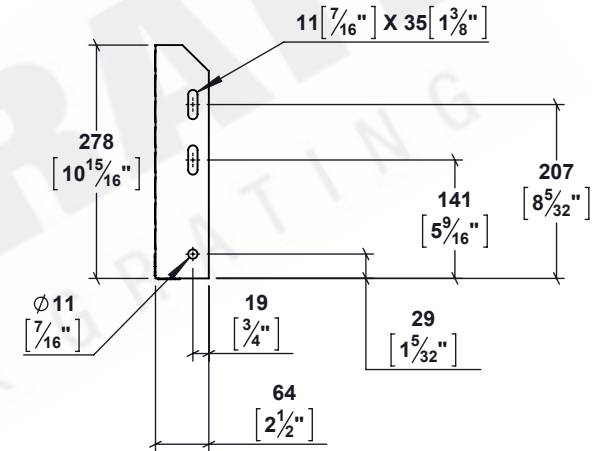
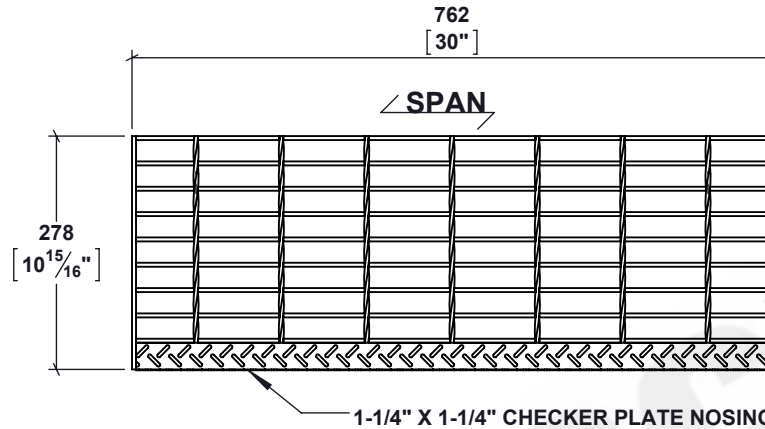
#54-1015 Eby Road SW  
Edmonton, AB  
Canada T6X 2N9  
TF: 877.857.0323

## TORONTO

#5-5655 Kennedy Rd  
Mississauga, ON  
Canada L4Z 3E1  
TF: 877.564.3381

## MONTREAL

440 Rue Stinson  
Saint Laurent, QC  
Canada H4N 2E9  
TF: 855.325.3826



STAIR TREADS SUPPLIED WITH 1-1/4" X 3/16" PLAIN OR SERRATED 19W4 GRATING  
COMPLETE WITH CHECKER PLATE NOSING AND STANDARD END PLATES  
AVAILABLE IN BARE, PAINTED BLACK, PAINTED RED, AND GALVANIZED (GALV. +10% LBS)  
ALUMINUM AND STAINLESS STEEL AVAILABLE