



ACCURATE
SCREEN & GRATING

FIBREGLASS GRATING - MOLDED

51 x 38 x 38 SQUARE (GRIT-TOP/NON GRIT-TOP)

VANCOUVER

19082-28th Avenue
Surrey, BC
Canada V3S 6M3
TF: 877.687.3488

CALGARY

7571-57th Street SE
Calgary, AB
Canada T2C 5M2
TF: 877.857.0323

EDMONTON

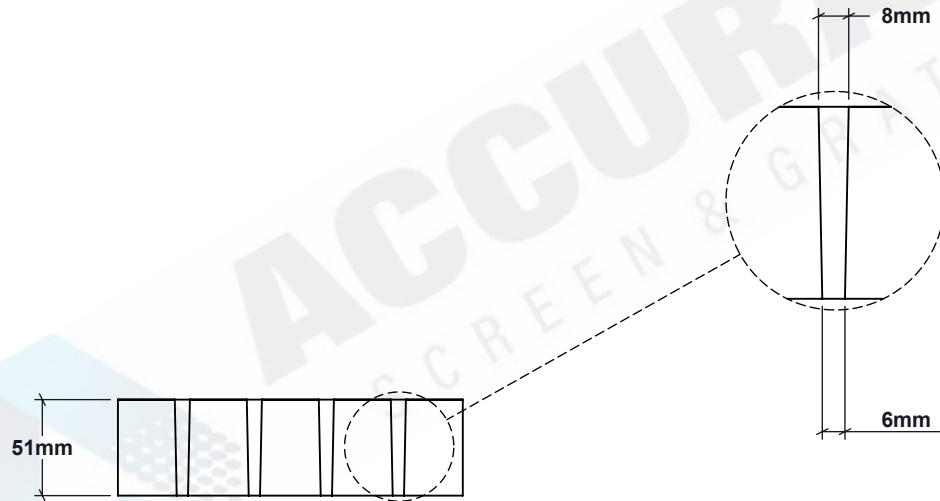
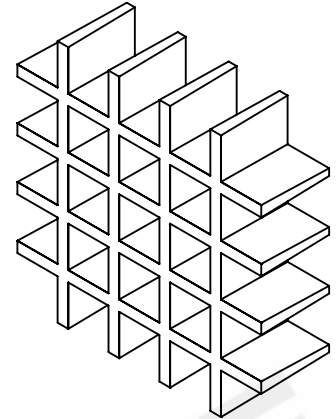
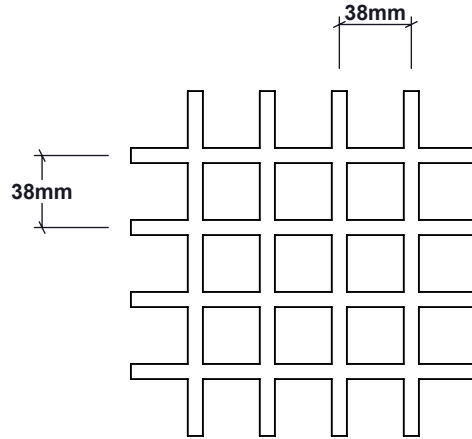
#54-1015 Eby Road SW
Edmonton, AB
Canada T6X 2N9
TF: 877.857.0323

TORONTO

#5-5655 Kennedy Rd
Mississauga, ON
Canada L4Z 3E1
TF: 877.564.3381

MONTREAL

440 Rue Stinson
Saint Laurent, QC
Canada H4N 2E9
TF: 855.325.3826



METRIC LOAD TABLE													
SPAN (MM)	GRATING TYPE		LOAD (KPA)									Max Recommended Load (KPA)	Breaking Point (KPA)
	HEIGHT (MM)	OPENING (MM)	2.40	4.79	7.19	9.58	14.37	23.95	47.90	95.80			
305	51	38 X 38	<0.3 / <0.3	<0.3 / <0.3	<0.3 / <0.3	<0.3 / <0.3	<0.3 / <0.3	<0.3 / <0.3	<0.3 / <0.3	0.49 / 0.49	1.52 / 1.52		
457	51	38 X 38	<0.3 / <0.3	<0.3 / <0.3	<0.3 / <0.3	0.29 / 0.29	0.53 / 0.53	0.81 / 0.81	1.39 / 1.39	3.05 / 3.05			
610	51	38 X 38	<0.3 / <0.3	0.23 / 0.23	0.42 / 0.42	0.62 / 0.62	0.85 / 0.85	1.50 / 1.50	3.05 / 3.05				
762	51	38 X 38	<0.3 / <0.3	0.51 / 0.51	0.73 / 0.73	1.05 / 1.05	1.52 / 1.52	2.54 / 2.54	6.60 / 6.60				
914	51	38 X 38	0.40 / 0.40	0.93 / 0.93	1.52 / 1.52	2.03 / 2.03	3.05 / 3.05						
1067	51	38 X 38	0.63 / 0.63	1.44 / 1.44	2.29 / 2.29	3.05 / 3.05	5.08 / 5.08						
1219	51	38 X 38	0.95 / 0.95	1.99 / 1.99	3.02 / 3.02	3.89 / 3.89							
1372	51	38 X 38	0.52 / 0.52	0.95 / 0.95									
1524	51	38 X 38	2.54 / 2.54	5.08 / 5.08									

TABLE OF SAFE LOADS - METRIC

U - Safe Uniform Load, in KPA
C - Safe Concentrated Load, in KPA

GENERAL

Loads and deflections are theoretical and based on static loading.