



LADDER RUNG

60"

1524mm

ACCURATE
SCREEN & GRATING

VANCOUVER

19082-28th Avenue
Surrey, BC
Canada V3S 6M3
TF: 877.687.3488

CALGARY

7571-57th Street SE
Calgary, AB
Canada T2C 5M2
TF: 877.857.0323

EDMONTON

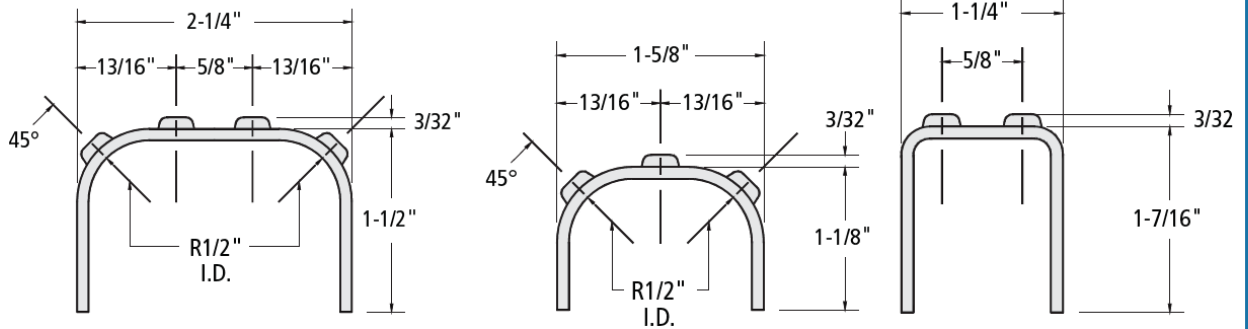
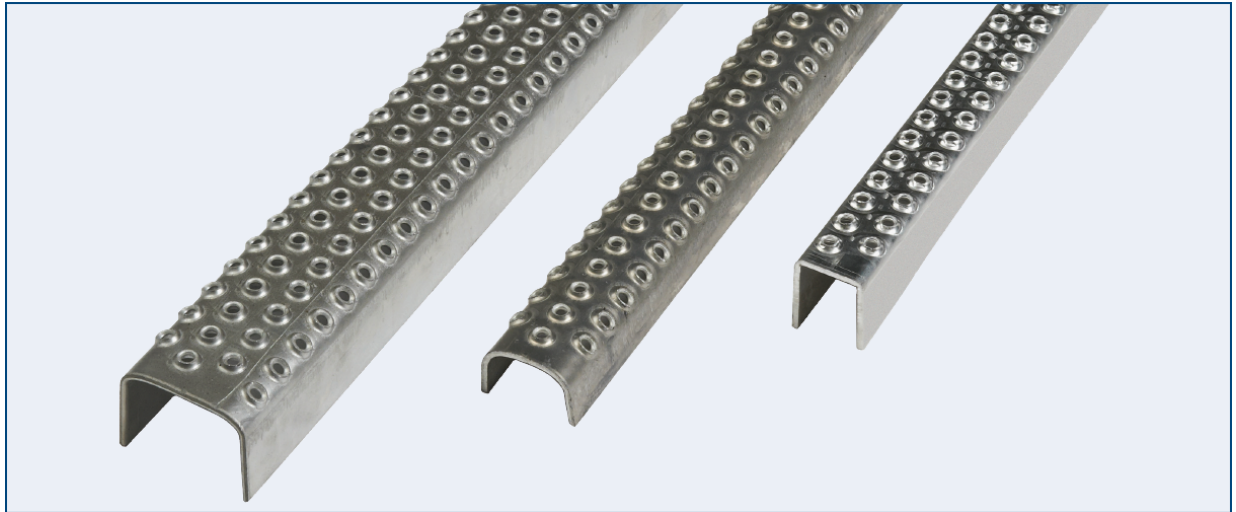
#54-1015 Eby Road SW
Edmonton, AB
Canada T6X 2N9
TF: 877.857.0323

TORONTO

#5-5655 Kennedy Rd
Mississauga, ON
Canada L4Z 3E1
TF: 877.564.3381

MONTREAL

440 Rue Stinson
Saint Laurent, QC
Canada H4N 2E9
TF: 855.325.3826



SAFE ALLOWABLE CONCENTRATED LOAD (LBS)							
TYPE	DEPTH	ALLOY	GAUGE	16" SPAN	18" SPAN	20" SPAN	24" SPAN
2 hole 1-1/4"	1-7/16"	HRPO	13ga	508	451	401	338
	1-7/16"	HRPO	11ga	664	590	531	443
	1-7/16"	Alum	.125"	471	418	377	314
	1-7/16"	304ss	16ga	345	306	276	230
	1-7/16"	316ss	14ga	414	367	331	276
3 hole 1-5/8"	1-1/8"	HRPO	13ga	375	334	300	250
	1-1/8"	HRPO	11ga	474	422	379	316
	1-1/8"	Alum	.125"	337	299	269	224
	1-1/8"	304ss	16ga	260	231	208	NR
	1-1/8"	316ss	14ga	312	277	250	222
4 hole 2-1/4"	1-1/2"	HRPO	13ga	862	766	689	574
	1-1/2"	HRPO	11ga	1138	1012	911	759
	1-1/2"	Alum	.125"	810	720	649	540
	1-1/2"	304ss	16ga	580	516	464	387
	1-1/2"	316ss	14ga	696	619	557	464

Loads and deflections are theoretical and based on static loading.

Ladder rung supplied at 60" lengths. Custom lengths and coping upon request.

NOTE: ALL DRAWINGS ARE THE PROPERTY OF ACCURATE SCREEN LTD./1238229 ALBERTA INC.